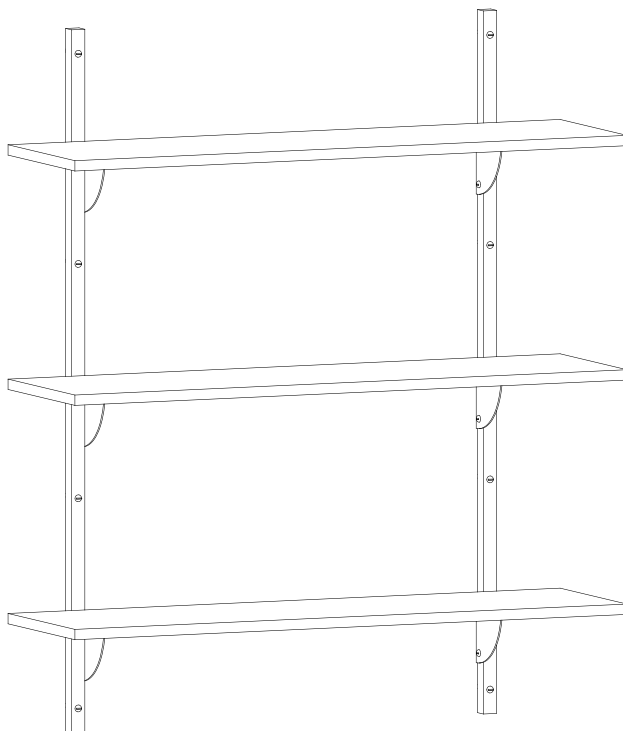


SECTOR SHELVES

Assembly manual



ferm
L I V I N G

General Instructions

PLEASE READ BEFORE INSTALLATION

WARNING:

The safety of this product can only be guaranteed if the following instructions are observed during both installation and use. Please retain these instructions safely after installation

PLEASE OBSERVE THE FOLLOWING GUIDELINES FOR VENEERED FURNITURE:

For daily cleaning, wipe with a clean, dry cloth or a cloth wrung out in clean water. If a wrung-out cloth or chamois is used, immediately wipe away any excess water with a clean, dry cloth. Dirty surfaces should be wiped with a damp cloth. Again, dry immediately with a clean, dry cloth. Be aware that liquid detergents will dissolve the oil, so an oil treatment should be repeated. To do this, apply wood oil evenly with a soft cloth or sponge in the direction of the wood's grain. After 2-3 hours, the wood may be polished with a clean, dry cloth. Avoid exposing the surfaces to water or other liquids for an extended period of time. Spilt liquids should be wiped away immediately.

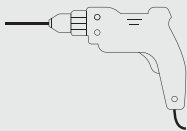
For a more thorough clean of your wooden furniture, you should use a wood cleaner, which removes marks like oil-based stains, water rings and more. It can also be used to wash tannic acid out of oak wood. Remember to treat the surface with neutral wood oil after using wood cleaner. Always remember to treat the underside of your furniture; otherwise, there is a risk that the wood will warp or crack. If the surface of the wood 'rises up' (becomes rough) after treatment, you can lightly sand it in the direction of the wood grain using fine sandpaper (minimum 220 grit). Never use steel wool!

The enclosed raw plugs are for brick wall only. Not suitable for plaster walls

MORE INFORMATION:

To access further information such as product overview and material descriptions, please visit our website at www.fermliving.com. If you have any questions or comments, please do not hesitate to contact us at info@fermliving.com.

NEEDED TOOLS



Electrical drill



Spirit Level



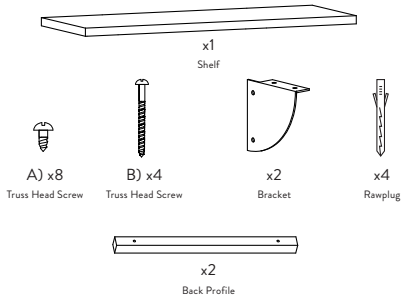
Screwdriver



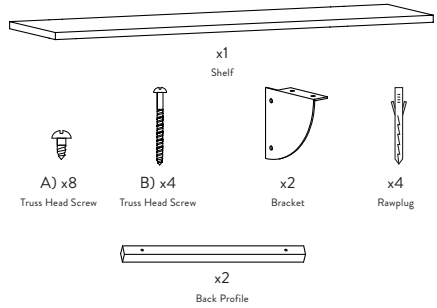
Pencil

Box Content

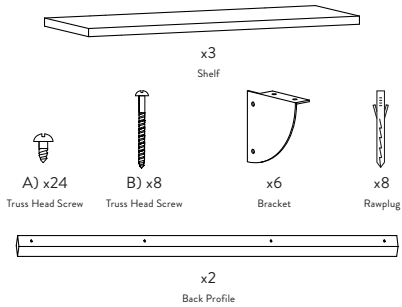
SINGLE - NARROW



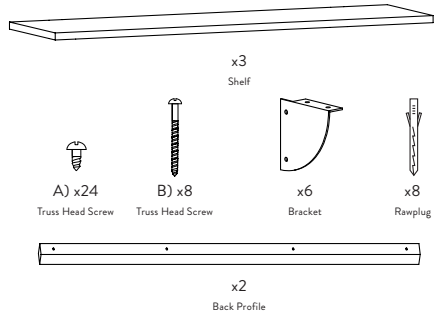
SINGLE - WIDE



TRIPPLE - NARROW

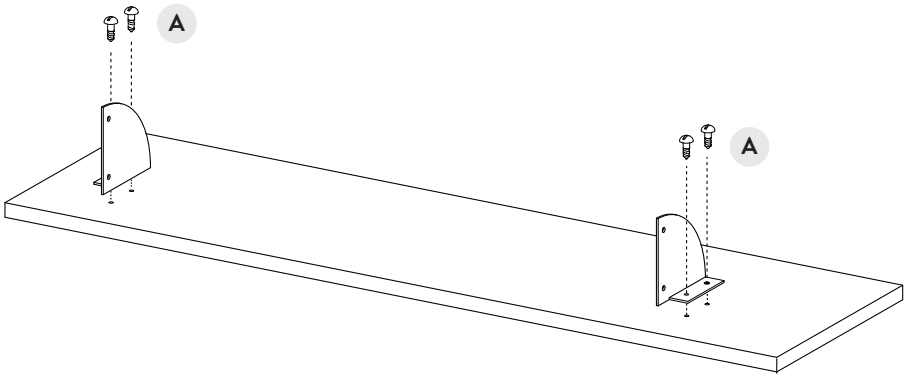


TRIPPLE - WIDE



Assembly Process

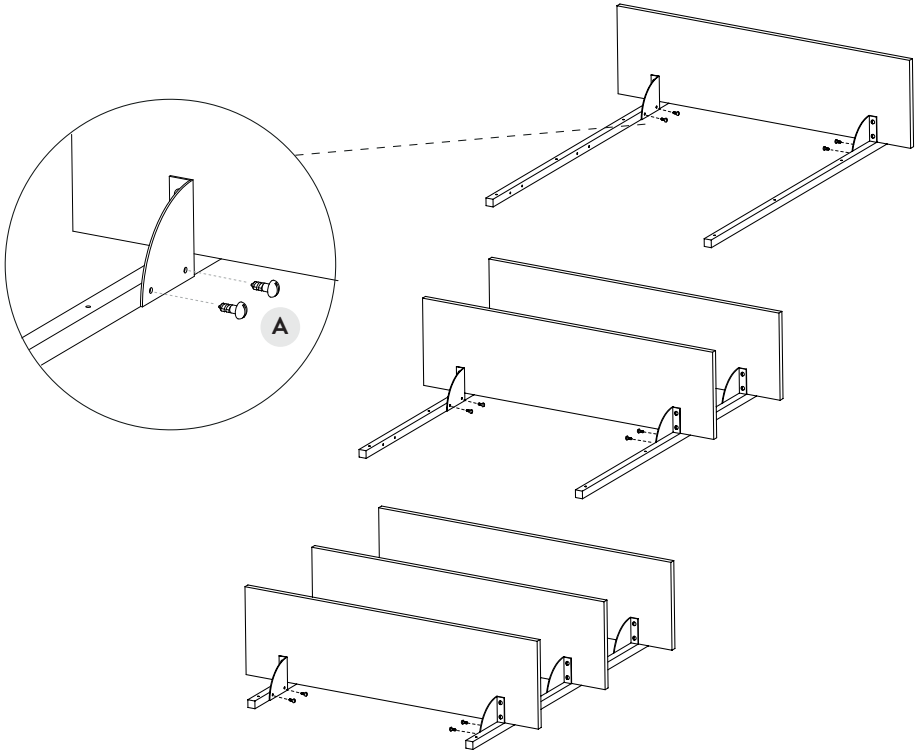
1



Start by mounting the brackets to each shelf.
Two brackets per shelf and two short screws for each bracket.

Assembly Process

2

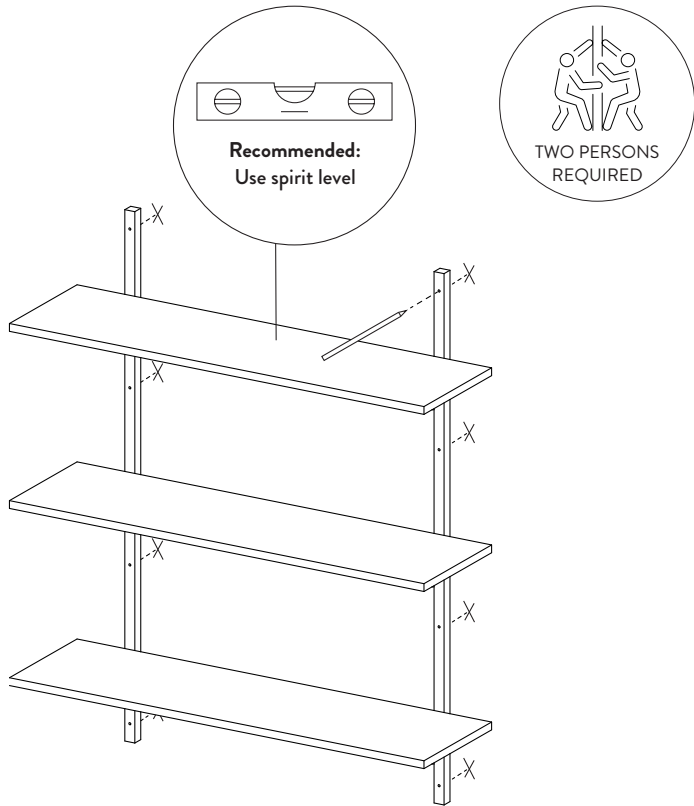


Place the two profiles on a stable surface, like the floor or a solid table. The sides with the large holes should turn upwards. Start by attaching the upper shelf to the profiles and end with the lowest shelf. Use the same short screws as before. Two screws for each bracket.

SINGLE SHELF: Attach shelf and continue to step 3.

Assembly Process

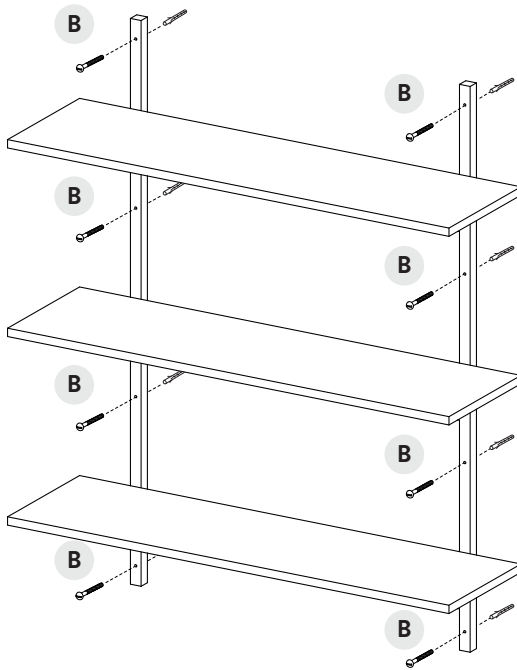
3



Find a position for the shelf and hold it against the wall. Make sure that it is level. Stick a pointy pencil/needle through the holes to mark the drill holes on the wall.

Assembly Process

4



Remove the shelf from the wall. Drill the holes and insert rawl- plugs. Then attach the shelf to the wall using the long screws.

fermliving.com